

PITNEY BOWES QUICK GUIDETO USPS PRICES

New prices for shipping services took effect January 18, 2009. Price changes for other mail classes take effect May 11, 2009.

First-Class Mail®

Shape-based pricing, which was introduced in 2007, is still in effect—which means the shape and format of your mailpiece will have a significant impact on your cost. You can expect modest increases for most types of mail, with no change (or decreases) for each additional ounce.

Select Rates for First-Class Mail®	May '08	May '09
Single-piece Letter – First ounce	\$0.42	\$0.44
Single-piece Flat – First ounce	\$0.83	\$0.88
Single-piece Parcel – First ounce	\$1.17	\$1.22
Each additional ounce	\$0.17	\$0.17
Nonmachinable surcharge	\$0.20	\$0.20
Presorted Letter – First ounce	\$0.394	\$0.414
Presorted Flat – First ounce	\$0.727	\$0.757
Automation Letter – 5-digit – First ounce	\$0.324	\$0.335
Automation Flat – 5-digit – First ounce	\$0.364	\$0.380
Postcards	\$0.27	\$0.28

Standard Mail®

While most rates have increased, you can also earn bigger discounts for BMC and SCF Destination Entry.

Select Rates for Standard Mail®	May '08	May '09
Letter up to 3.3 ounces – AADC (Nonautomation)	\$0.258	\$0.256
Flat up to 3.3 ounces – ADC (Nonautomation)	\$0.483	\$0.509
Letter up to 3.3 ounces – 5-digit (Automation)	\$0.225	\$0.233
Flat up to 3.3 ounces – 5-digit (Automation)	\$0.339	\$0.346
BMC Destination Entry Discount (Piece Rate)	\$0.033	\$0.034
SCF Destination Entry Discount (Piece Rate)	\$0.042	\$0.043

Priority Mail®, Express Mail® and Package Services

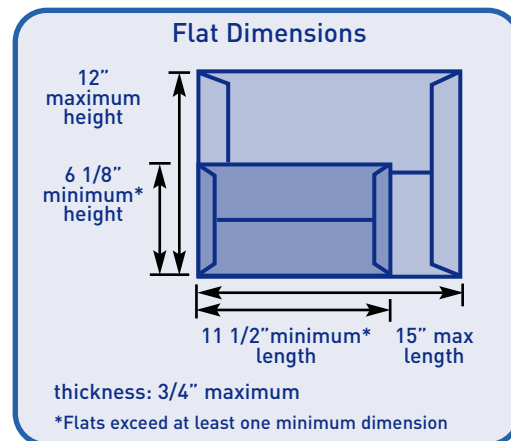
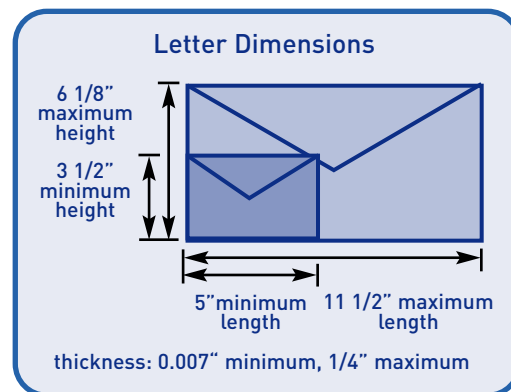
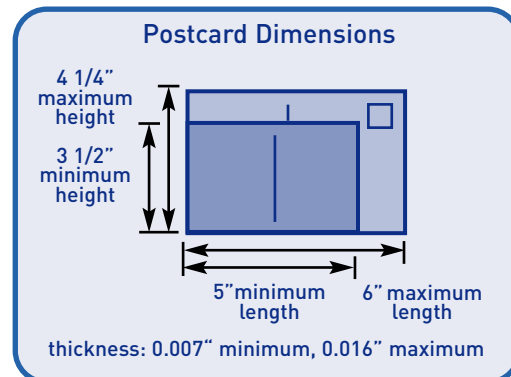
Express Mail® prices are based on weight and zone, with additional savings available for those who qualify for Corporate Accounts or volume incentives. Savings on Priority Mail® will be available for those who use electronic postage or meet other requirements.

Select Rates for Priority Mail® Express Mail® and Package Services	May '08	Jan '09
Priority Mail® - Flat Rate Envelope (Retail)	\$4.80	\$4.95
Priority Mail® - Flat Rate Box (Retail)	\$9.80	\$10.35
Priority Mail® - Oversized Flat Rate Box (Retail)	\$12.95	\$13.95
Express Mail® - Flat Rate Envelope	\$16.50	\$17.50
Parcel Post – 1 lb.	\$3.67	\$4.90
Media Mail – 1 lb. Single-Piece	\$2.23	\$2.38
Library Mail – 1 lb. Single-Piece	\$2.12	\$2.26

Extra Services

Fees for most extra services have increased or stayed the same.

Select Rates for Extra Services	May '08	May '09
Registered Mail™ Base Rate	\$10.00	\$10.60
Certified Mail™	\$2.70	\$2.80
Return Receipt (paper-based)	\$2.20	\$2.30
Electronic Return Receipt	\$1.00	\$1.10
First-Class Address Correction – Manual	\$0.50	\$0.50
First-Class Address Correction – Electronic	\$0.08	\$0.10



For more details, including new rate tables, please visit www.usps.com/prices.